



Specification Sheet Round Vapor Tight High Bay Fixture



Round Vapor Tight High Bay Fixture

TOP FEATURES

Housing

- Non-combustible UL 5VA fiberglass housing that won't melt, burn, or corrode.
- Sealed with a poured-in-place polyurethane gasket rated IP65, IP66, IP67, and IP69.
- PinSert System replaces bulky latches for a cleaner profile and faster lens access.
- NEMA 4X rated for corrosive and high-moisture environments.
- NSF-certified for food processing and near-food-safe applications.

Performance

- Various Lumen packages across. From 9,000 to 15,000 lumens with efficacy up to 175 lm/W.
- Multi-CCT options including 3000K, 4000K, and 5000K.
- Available in 80 CRI standard.

Installation and Maintenance

- QuickPin System uses 8 pins to secure lens to housing.
- 0-10V dimming standard.

Compliance

- Made in USA with BAA and BABA compliance.
- 5-year limited warranty.

Project:

Type:

Date:

PRODUCT DESCRIPTION

The RVT Round Vapor Tight brings proven enclosure engineering into a compact 18" round form built for tight low bay spaces. The non-combustible UL 5VA fiberglass housing and poured-in-place polyurethane gasket deliver IP65, IP66, IP67, and IP69 protection with NSF certification for food processing environments.

The QuickPin System replaces bulky latches for a cleaner profile and faster lens access. Made in USA.

APPLICATIONS

- Covered parking and garage structures
- Washdown and food preparation facilities
- Refrigerated warehouses and walk-in coolers
- Industrial plants with airborne dust and moisture
- Vehicle wash bays
- Shipping docks and receiving bays
- Locker rooms and indoor pool facilities
- Livestock and agricultural facilities
- Food and beverage processing plants
- Breweries and bottling facilities

*Note: This fixture has been tested and meets NSF/ANSI and NEMA4X standards. Official NSF and NEMA4X certifications and listings are currently in progress.



www.amersolsupply.com
618-792-6690

Amersol Supply
1005 N Service Rd W
Sullivan, MO 63080

Version 1.3 04/30/26

Made in USA, BAA & BABA Compliant

Contact customer support for all product questions and adds.

Note: Specifications subject to change without notification.



RVT - Part Number Builder

RVT											
Family	Housing	Lens	Lumens	CCT	CRI	Voltage	Dimming	Mounting	Emerg.	Cord	Controls

BASE

HOUSING	LENS	LUMENS*	CCT
<input checked="" type="checkbox"/> 18 (18" Diameter)	<input checked="" type="checkbox"/> DCA (Drop Clear Acrylic)	<input checked="" type="checkbox"/> 9L (9,000 lm)	<input checked="" type="checkbox"/> 30 (3000K)
	<input type="checkbox"/> DFA (Drop Frosted Acrylic)	<input type="checkbox"/> 12L (12,000 lm)	<input type="checkbox"/> 40 (4000K)1
	<input type="checkbox"/> DCP (Drop Clear PC)	<input type="checkbox"/> 15L (15,000 lm) 1	<input type="checkbox"/> 50 (5000K)
	<input type="checkbox"/> DFP (Drop Frosted PC)		
CRI	VOLTAGE	DIMMING	
<input checked="" type="checkbox"/> Blank (80 CRI)	<input checked="" type="checkbox"/> Blank (Universal 120-277 VAC)	<input checked="" type="checkbox"/> Blank (0-10V Standard)	
	<input type="checkbox"/> H (High 347-480 VAC)		

OPTIONS

MOUNTING	EMERGENCY	CORD**	CONTROLS
<input checked="" type="checkbox"/> H (3/4" Hub) - Included	<input type="checkbox"/> E10 (10 Watt)	<input type="checkbox"/> C10PL5 (10' Cord 120V Twist-Lock)	<input type="checkbox"/> OS (Occupancy Sensor)
		<input type="checkbox"/> C10PL6 (10' Cord 240V Twist-Lock)	
		<input type="checkbox"/> C10PL7 (10' Cord 277V Twist-Lock)	
		<input type="checkbox"/> C10 (10' Cord no plug)	

Accessories

HK (3/4" Hook)

1Note: Note: Amersol's Quick Ship program features select lumen levels at 4000K color temperature. These stocked configurations ship within 3-5 business days.
 *Note: Amersol offers extended lumen packages outside of the quick ship program, ask our customer service for more info
 **Note: Custom cord lengths are available for qualifying orders. Contact customer support for pricing and lead times.





SPECIFICATIONS

Physical	Value
Dimensions (D x H)	17.89" x 5.34"
Weight*	14.3 lbs
Housing Material	UL 5VA Fiberglass body
Lens Options	Clear, Frosted
Lens Material	Acrylic or Polycarbonate
Performance	Value
Lumen Packages	9,000 - 15,000 lm
Wattage Range	51W - 85W
Efficacy	Up to 175 lm/W
CCT Options	3000K, 4000K, 5000K
CRI	80 (Standard)
Operating Temp	-40°F to 131°F (-40°C to 55°C)
Environmental	Value
IP Rating	IP65, IP66, IP67, IP69
NEMA Rating	4X
NSF	Certified for Splash Zones
UL Listing	Wet Location, UL 1598
Warranty	5 Year** [10 Year Optional]***
Electrical	Value
Input	120-277 VAC (Universal)
High Voltage Option	347-480 VAC
Frequency	50/60 Hz
Power Factor	>0.90
Dimming / Option	0-10V Standard
Surge Protection	6kV
Mounting	Value
Mounting Option	3/4" Hook, 3/4" Die Cast Hub

*Note: Weight varies from lumen packages, mounting and options

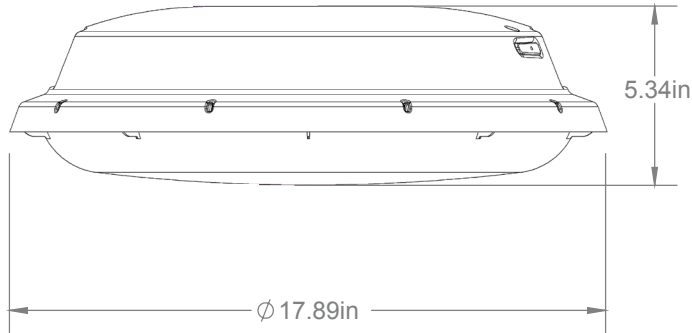
**Note: 5-Year Warranty based on our Limited Warranty Document

***Note: 10-Year Warranty available for qualifying government contracts. May require minimum order quantities.





DIMENSIONAL DIAGRAMS



COMPONENT ASSEMBLY VIEW

