



Specification Sheet Linear Vapor Tight Series



NEMA 4X



**RoHS
COMPLIANT**

Linear Vapor Tight 2/4/8 Ft. LED Light

TOP FEATURES

Housing

- Non-combustible UL 5VA fiberglass housing that won't melt, burn, or corrode.
- Sealed with a poured-in-place polyurethane gasket rated IP65, IP66, and IP67.
- NEMA 4X rated for corrosive and high-moisture environments.
- NSF-certified for food processing and near-food-safe applications.

Performance

- Various Lumen packages across 2ft, 4ft, and 8ft. From 2,000 to 24,000 lumens with efficacy up to 175 lm/W.
- Multi-CCT options including 3000K, 4000K, 5000K, and 3CCT switchable.
- Available in 80 CRI standard.

Installation and Maintenance

- Captive, tool-free latches for fast maintenance access.
- 0-10V dimming standard with dim-to-off capability.

Compliance

- Made in USA with BAA and BABA compliance.
- 5-year limited warranty.

Project:

Type:

Date:

PRODUCT DESCRIPTION

The LVT Linear Vapor Tight LED Lights deliver sealed, washdown-ready performance in the most punishing work environments. The non-combustible UL 5VA fiberglass housing and poured-in-place gasket deliver IP65, IP66, and IP67 protection along with a NEMA 4X rating and NSF-certified. Made in USA with BAA and BABA compliance.

APPLICATIONS

- Covered parking and garage structures
- Washdown and food preparation facilities
- Refrigerated warehouses and walk-in coolers
- Industrial plants with airborne dust and moisture
- Shipping docks and receiving bays
- Greenhouses and outdoor retail environments
- Vehicle wash bays
- Sports venues and gymnasium wet zones
- Canopy and fueling station areas



www.amersolsupply.com
618-792-6690

Amersol Supply
1005 N Service Rd W
Sullivan, MO 63080

Version 1.4 03/23/26
Made in USA, BAA & BABA Compliant
Contact customer support for all product questions and adders.
Note: Specifications subject to change without notification.



LVT - Part Number Builder

LVT													
Family	Length	Lens	Lumens	CCT	CRI	Voltage	Dimming	Latches	Mounting	Hub	Emerg.	Cord	Controls

BASE

LENGTH <input type="checkbox"/> 2 (2 Foot) <input type="checkbox"/> 4 (4 Foot) <input type="checkbox"/> 8 (8 Foot)	LENS <input type="checkbox"/> SCP (Smooth Clear PC) <input type="checkbox"/> SFP (Smooth Frosted PC)	LUMENS* 2 ft. <input type="checkbox"/> 2L (2,000 lm) <input type="checkbox"/> 5L (5,000 lm) ¹ 4 ft. <input type="checkbox"/> 4L (4,000 lm) <input type="checkbox"/> 5L (5,000 lm) ¹ <input type="checkbox"/> 7L (7,000 lm) ¹ <input type="checkbox"/> 10L (10,000 lm) <input type="checkbox"/> 12L (12,000 lm) 8 ft. <input type="checkbox"/> 10L (10,000 lm) <input type="checkbox"/> 12L (12,000 lm) ¹ <input type="checkbox"/> 16L (16,000 lm) <input type="checkbox"/> 20L (20,000 lm) <input type="checkbox"/> 24L (24,000 lm)	CCT <input type="checkbox"/> 30 (3000K) <input type="checkbox"/> 40 (4000K) ¹ <input type="checkbox"/> 50 (5000K) <input type="checkbox"/> 3CCT (Select)
CRI <input type="checkbox"/> Blank (80 CRI)	VOLTAGE <input type="checkbox"/> Blank (Universal 120–277 VAC) <input type="checkbox"/> H (High 347–480 VAC)	DIMMING <input type="checkbox"/> Blank (0–10V Standard) <input type="checkbox"/> DTO (Dim-to-OFF)	LATCHES <input type="checkbox"/> SS (Stainless Steel)

OPTIONS

MOUNTING <input checked="" type="checkbox"/> MB (SS Brackets) - Included <input type="checkbox"/> MBB (SS Brackets w/Bail) <input type="checkbox"/> M45 (45° Brackets) <input type="checkbox"/> SPM (Single Pendant 3/4") <input type="checkbox"/> DPM (Dual Pendant 1/2")	HUB LOCATION/SIZE <input type="checkbox"/> 2T50 (2 Top 1/2") <input type="checkbox"/> E50 (1 End 1/2") <input type="checkbox"/> 2E50 (2 Ends 1/2") <input type="checkbox"/> C75 (Center 3/4")	EMERGENCY <input type="checkbox"/> E10 (10 Watt)	CORD** <input type="checkbox"/> C10 (10' White Cord) <input type="checkbox"/> C10P (10' White w/Plug)
			CONTROLS <input type="checkbox"/> OS (Occupancy Sensor)

¹Note: Note: Amersol's Quick Ship program features select lumen levels at 4000K color temperature. These stocked configurations ship within 3–5 business days.
^{*}Note: Amersol offers extended lumen packages outside of the quick ship program, ask our customer service for more info.
^{**}Note: Custom cord lengths are available for qualifying orders. Contact customer support for pricing and lead times.





SPECIFICATIONS

	2 Ft	4 Ft	8 Ft
Physical	Value		
Dimensions (L x W x H)	27.69" x 6.77" x 4.21"	51.7" x 6.77" x 4.21"	100" x 6.77" x 4.21"
Weight*	4.4 lbs	9.5 lbs	16.9 lbs
Housing Material	UL 5VA Fiberglass		
Lens Options	Clear, Frosted		
Lens Material	Acrylic or Polycarbonate		
Performance	Value		
Lumen Packages	2,000 - 5,000 lm	4,000 - 12,000 lm	10,000 - 24,000 lm
Wattage Range	14W - 162W		
Efficacy	Up to 175 lm/W		
CCT Options	3000K, 4000K, 5000K, Selectable 30K-40K-50K		
CRI	80 (Standard)		
Operating Temp	-40°F to 131°F (-40°C to 55°C)		
Environmental	Value		
IP Rating	IP65, IP66, IP67		
NEMA Rating	4X		
NSF	Certified for Splash Zones		
UL Listing	Wet Location, UL 1598		
Warranty	5 Year** [10 Year Optional]***		
Electrical	Value		
Input	120-277 VAC (Universal)		
High Voltage Option	347-480 VAC		
Frequency	50/60 Hz		
Power Factor	>0.90		
Dimming / Option	0-10V Standard / Dim-to-off		
Mounting	Value		
Mounting Option	Surface, Pendant, 45° Angle		
Hub Sizes	½" NPT, ¾" NPT		
Continuous Row	Yes		

*Note: Weight varies from lumen packages, mounting and options

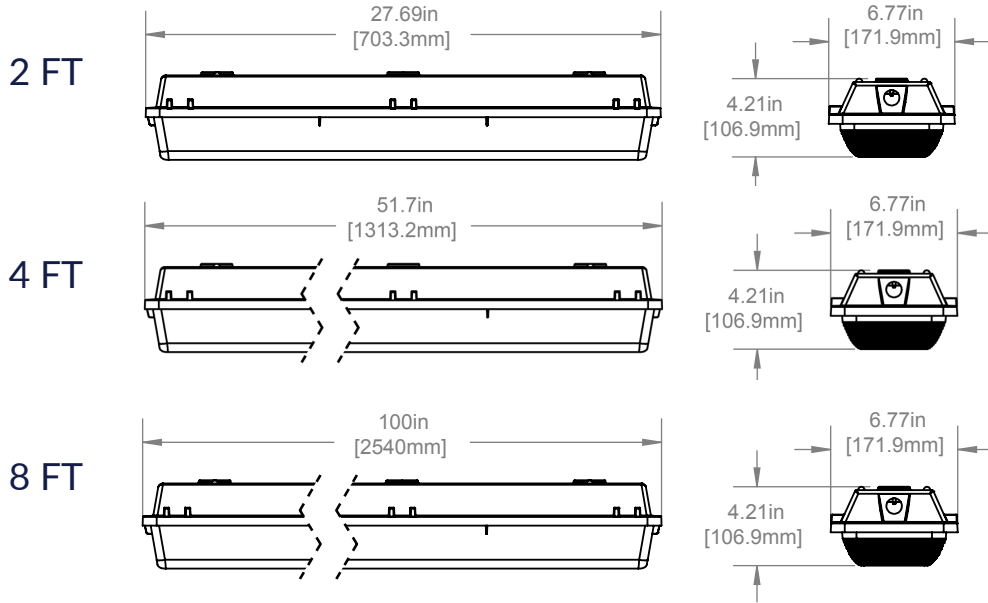
**Note: 5-Year Warranty based on our Limited Warranty Document

***Note: 10-Year Warranty available for qualifying government contracts. May require minimum order quantities.





DIMENSIONAL DIAGRAMS



COMPONENT ASSEMBLY VIEW (4 FT. FIXTURE EXAMPLE)

