



Specification Sheet ION Series



NEMA 4X



**RoHS
COMPLIANT**

ION Washdown Vapor Tight 2/4/8 Ft. LED Light

Project:

TOP FEATURES

Housing

- Sealed tubular design with no ledges, seams, or flat surfaces where contaminants can collect.
- IP65, IP66, IP67, and IP69 protection against high-pressure, high-temperature wash-down up to 176°F (80°C).
- NEMA 4X rated for continuous exposure to corrosive chemicals and high-moisture environments.
- NSF food-zone certified for use in direct food-contact and sanitation areas.
- Stainless steel end caps and polycarbonate body are engineered for long-term resistance to caustic wash solutions.

Performance

- Lumen packages from 2,000 to 20,000 lumens across 2 ft, 4 ft, and 8 ft lengths with efficacy up to 143 lm/W.
- CCT options including 3000K, 4000K, 5000K

Installation and Maintenance

- Tool-free body and board tray for fast servicing.
- Wire form, latch mount, or rigid mount brackets with stainless steel hardware included.
- 0-10V dimming standard with dim-to-off capability.

Compliance

- Made in USA with BAA and BABA compliance.
- UL 1598 listed for wet locations.
- 5-year limited warranty.

Type:

Date:

PRODUCT DESCRIPTION

The ION Washdown Vapor Tight LED is engineered to survive the most aggressive sanitation cycles in food production and industrial environments. Its sealed tubular housing stands up to high-pressure, high-temperature wash-down at up to 176°F with IP65 through IP69 protection. The smooth, crevice-free profile reflects water and prevents buildup, while NSF food-zone certification and stainless steel end caps ensure compliance in direct food-contact areas. Available in 2 ft, 4 ft, and 8 ft configurations. Made in USA with BAA and BABA compliance.

APPLICATIONS

- Meat, poultry, and seafood processing lines
- Dairy and beverage bottling facilities
- Commercial kitchens and food preparation areas
- Cold storage, blast freezers, and walk-in coolers
- Pharmaceutical and cleanroom environments
- Car wash tunnels and detail bays
- Agricultural and greenhouse operations
- Chemical handling and industrial wash stations
- Marine and boat wash facilities



www.amersolsupply.com
618-792-6690

Amersol Supply
1005 N Service Rd W
Sullivan, MO 63080

Version 1.3 03/31/26
Made in USA, BAA & BABA Compliant
Contact customer support for all product questions and adders.
Note: Specifications subject to change without notification.



ION - Part Number Builder

ION											
Family	Length	Body	Lumens	CCT	CRI	Voltage	Dimming	Mounting	Emerg.	Cord	Controls

BASE

LENGTH

- 2 (2 Foot)
- 4 (4 Foot)
- 8 (8 Foot)

Body

- FP (Frosted PC)

LUMENS*

- 2 ft.** 2L (2,000 lm)
- 5L (5,000 lm)¹
- 4 ft.** 4L (4,000 lm)
- 5L (5,000 lm)¹
- 8L (8,000 lm)¹
- 10L (10,000 lm)
- 8 ft.** 10L (10,000 lm)
- 12L (12,000 lm)¹
- 16L (16,000 lm)
- 20L (20,000 lm)

CCT

- 30 (3000K)
- 40 (4000K)¹
- 50 (5000K)

CRI

- Blank (80 CRI)

VOLTAGE

- Blank (Universal 120-277 VAC)
- H (High 347-480 VAC)

DIMMING

- Blank (0-10V Standard)

OPTIONS

MOUNTING

- WMB (Wire Brackets)-Included
- LMB (Latch Mount Brackets)
- RMB (Rigid Mount Brackets)

EMERGENCY

- E10 (10 Watt)

CORD**

- C10 (10' White Cord)
- C10P (10' White w/Plug)

CONTROLS

- OS (Occupancy Sensor)

¹Note: Note: Amersol's Quick Ship program features select lumen* levels at 4000K color temperature. These stocked configurations ship within 3-5 business days.

*Note: Amersol offers extended lumen packages outside of the quick ship program, ask our customer service for more info.

**Note: Cord is included. Custom cord lengths are available for qualifying orders. Contact customer support for pricing and lead times.





SPECIFICATIONS

	2 Ft	4 Ft	8 Ft
Physical	Value		
Dimensions (L x W x H)	Ø3.70" x 24.0"	Ø3.70" x 47.0"	Ø3.70" x 93.0"
Weight*	4.4 lbs	9.5 lbs	16.9 lbs
Body Material	UL 5VA Polycarbonate or Acrylic		
End Caps	Stainless Steel Endcaps		
Performance	Value		
Lumen Packages	2,000 - 5,000 lm	4,000 - 10,000 lm	10,000 - 20,000 lm
Wattage Range	28W - 85W		
Efficacy	Up to 143 lm/W		
CCT Options	3000K, 4000K, 5000K		
CRI	80 (Standard)		
Operating Temp	-40°F to 131°F (-40°C to 55°C)		
Environmental	Value		
IP Rating	IP65, IP66, IP67, IP69		
NEMA Rating	4X		
NSF	Certified for Splash Zones		
UL Listing	Wet Location, UL 1598		
Warranty	5 Year** [10 Year Optional]***		
Electrical	Value		
Input	120-277 VAC (Universal)		
High Voltage Option	347-480 VAC		
Frequency	50/60 Hz		
Power Factor	>0.90		
Dimming / Option	0-10V Standard		
Surge Protection	6kV		
Mounting	Value		
Mounting Option	Wireform, Rigid, or Steel Straps		
Continuous Row	Yes		

*Note: Weight varies from lumen packages, mounting and options

**Note: 5-Year Warranty based on our Limited Warranty Document

***Note: 10-Year Warranty available for qualifying government contracts. May require minimum order quantities.

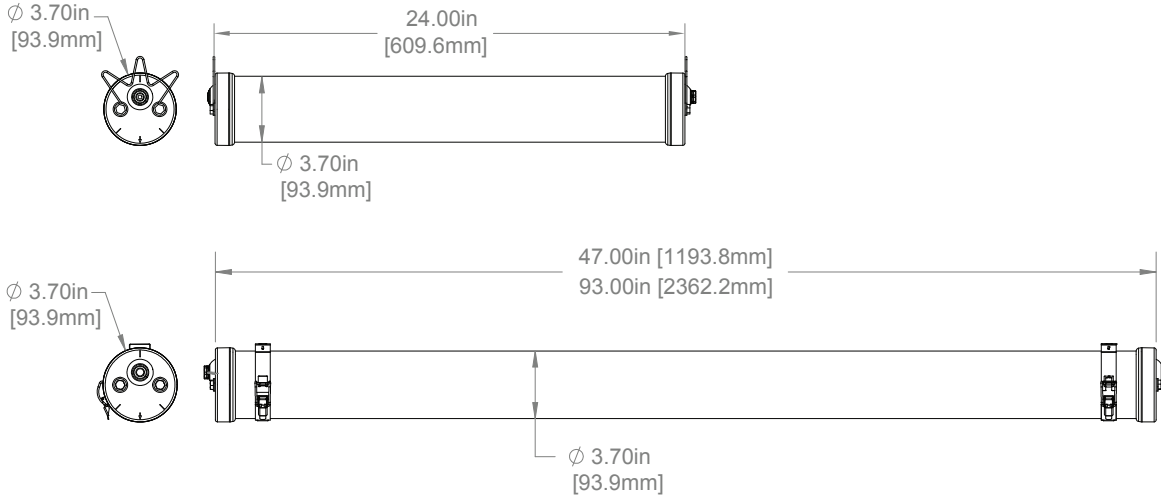
Part number	3000K		4000K		5000K		Wattage	CRI
	Lumens	Efficacy	Lumens	Efficacy	Lumens	Efficacy		
ION-4FP-7L	6710	136	6989	141.8	7060	143.2	49.3	80

Note: For more lumen levels, please contact amsales@amersolsupply.com

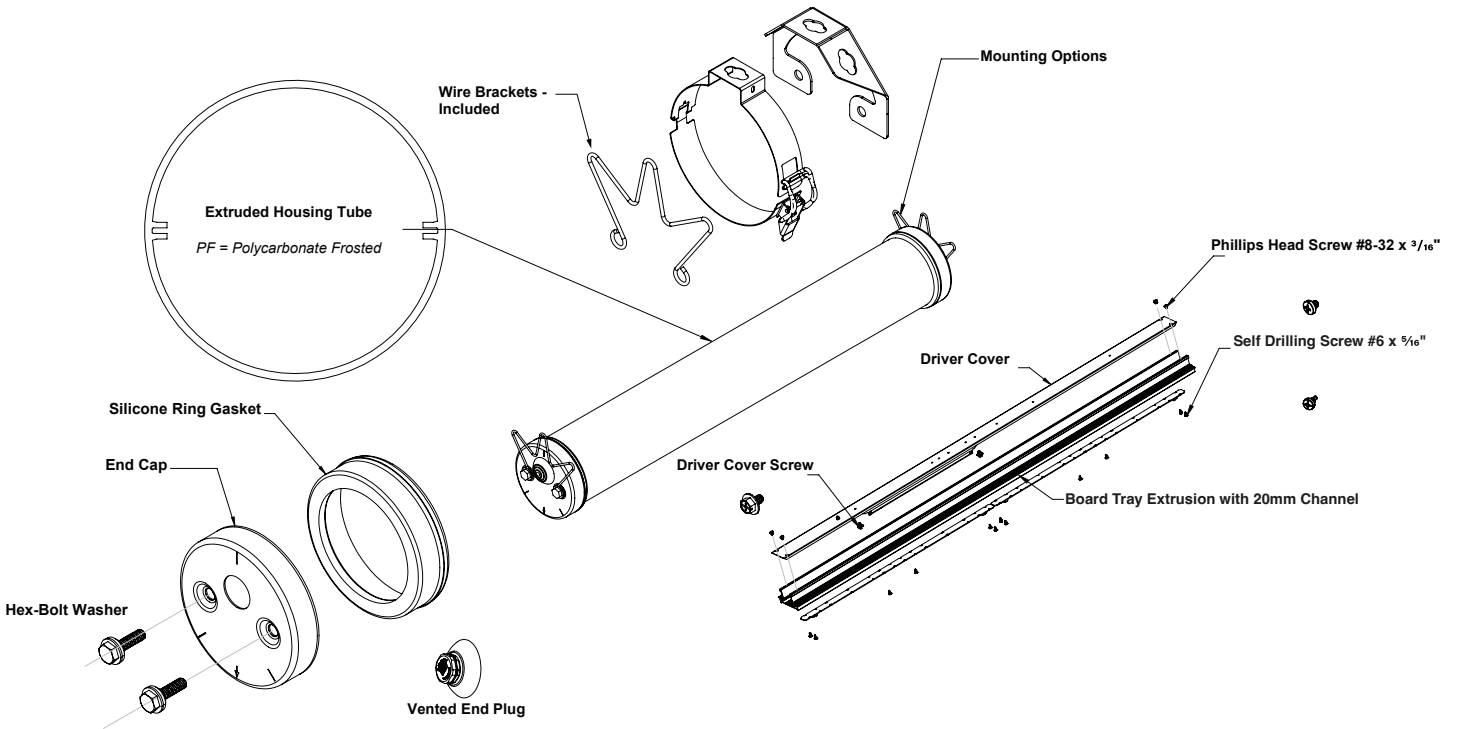




DIMENSIONAL DIAGRAMS



COMPONENT ASSEMBLY VIEW (4 FT. FIXTURE EXAMPLE)





LUMEN AND EFFICACY DATA

Part number	3000K		4000K		5000K		Wattage	CRI
	Lumens	Efficacy	Lumens	Efficacy	Lumens	Efficacy		
ION-4FP-7L	6710	136	6989	141.8	7060	143.2	49.3	80

Note: For more lumen level data, please contact amsales@amersolsupply.com

PHOTOMETRICS

